



Safi  
WORLD OF UNIQUE  
PERGOLA



[Info@safipergola.ca](mailto:Info@safipergola.ca)



+1 778 302 2577



[Safi Pergola](#)



[safipergola](#)



[www.safipergola.ca](http://www.safipergola.ca)



117-418 East Kent Avenue South  
Vancouver, B.C, V5X 2X7

# MODELS

## The unique new generation architectural outdoor solutions with minimalist forms

Privée serie's extensive contemporary collection incorporates high-tech version of outdoor solutions and can be configured to fit and cover various types of areas such as restaurants, terraces, balconies either private or commercial.

Privée serie is designed to present perfect combination of luxury and functionality with its distinctive visual lines. It is composed of customized and stylish retractable systems by creating distinction in outdoor living areas to be used in any weather conditions.



## Privée Serie

009 Aerolux

047 Exxen

089 Axis

127 Axis Max

165 Rota

201 Quattro

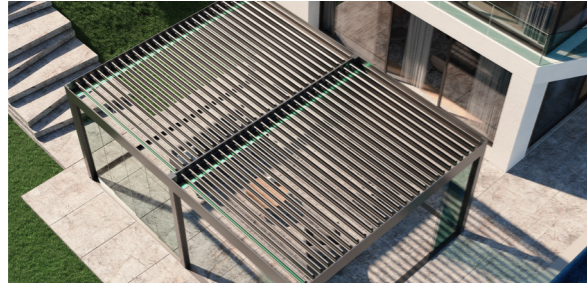
Privée Serie

AEROLUX



An innovated bioclimatic pergola system with full-automatic tilting / retractable aluminum louvres

AXIS



A stylish modern system with tilting louvres

ROTA



Smart aluminum louvered roof system with rotational motion function

EXXEN



Elegant retractable bioclimatic system with extended dimensions

AXIS MAX



An ultimated tilting system option for large area coverings

QUATTRO



Exclusive high-tech version of pergola model is composed of a high grade structural aluminium frame and retractable blackout fabric

MORE LUXURY...  
MORE PROJECTS...





## AEROLUX

Innovative, modern and functional outdoor patio solution...

Aerolux is an innovated bioclimatic pergola system with full-automatic tilting / retractable aluminum louvres and provides excellent protection from the sun, rain all the while providing beneficial ventilation.

Aerolux bioclimatic pergola system is a modern choice that adds value to outdoor living areas, it brightens the look of home, restaurant, hotel or cafes with a touch of luxury. The system is designed to be adapted any kind of outdoor living areas and provides exceptional quality of life in the open air with a high degree of visual and thermal comfort.

The louvres in dimensions 180x40 mm are made from a special aluminum alloy which ensures exceptional strength. They form a flat and smooth ceiling and drain the rainwater to the discrete gutter in fully closed position.

The construction of the system with 160x160 mm post allows a high degree of resistance to strong winds and wide span between support columns. Possibility of installation as self standing makes this pergola a sustainable solution for terraces, patios, balconies, pool houses, hot tubs and outdoor kitchens. Several modules can be linked to each other and even larger patio roof can be created by coupling multiple modules lengthwise.

■ Led Stripe Dimmer Lighting

■ RGB Led-Hidden Stripe Lighting



**Led Stripe Dimmer Lighting** illuminates all around the system and creates a warm atmosphere. Dimmable Soft Led Stripe lighting on sides within the structure provides intensity of day light or cool white options.

**RGB Led-Hidden Stripe Lighting** provides ultimate luxury by creating distinctive atmosphere in outdoor living areas with infinite colour options.

### Retractable & Tilting Version

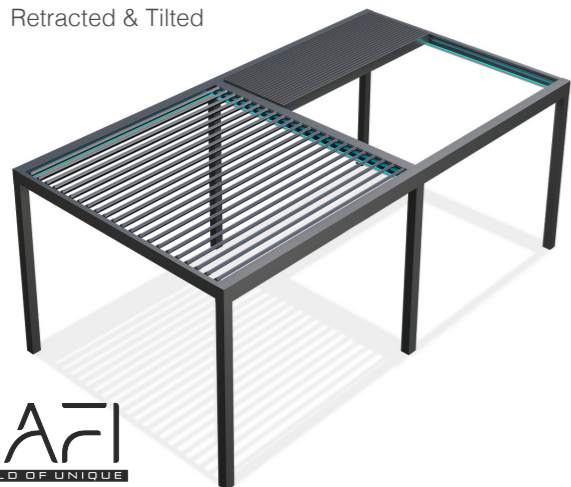
Fully Closed



Retracted



Retracted & Tilted

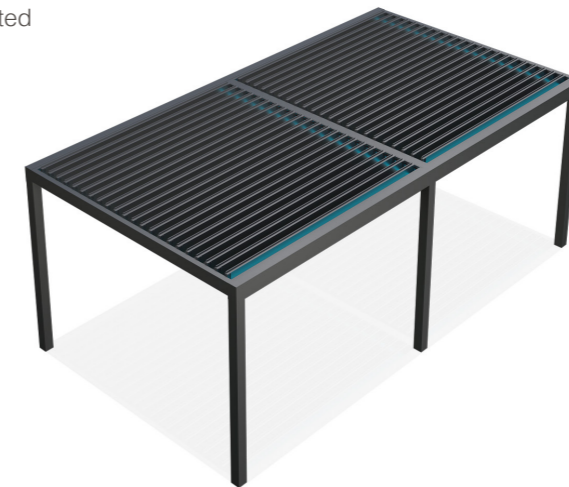


### Tilting Version

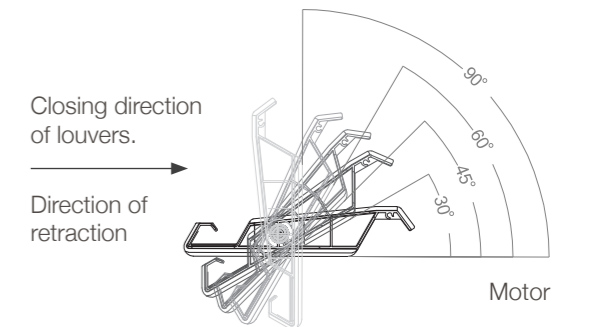
Fully Closed



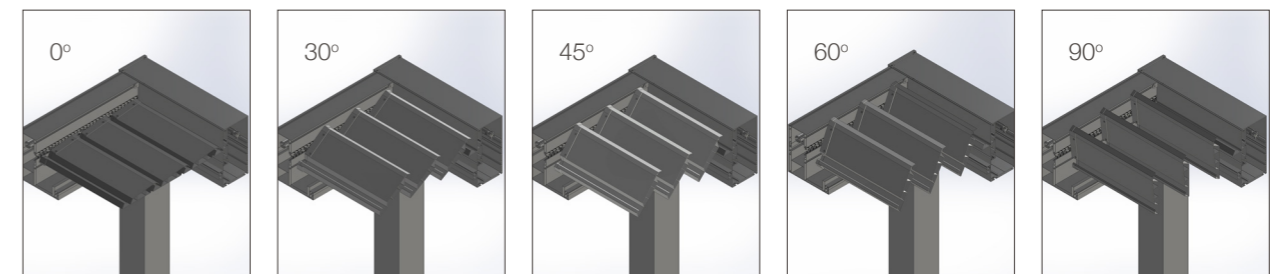
Tilted



Louvre Closing Direction



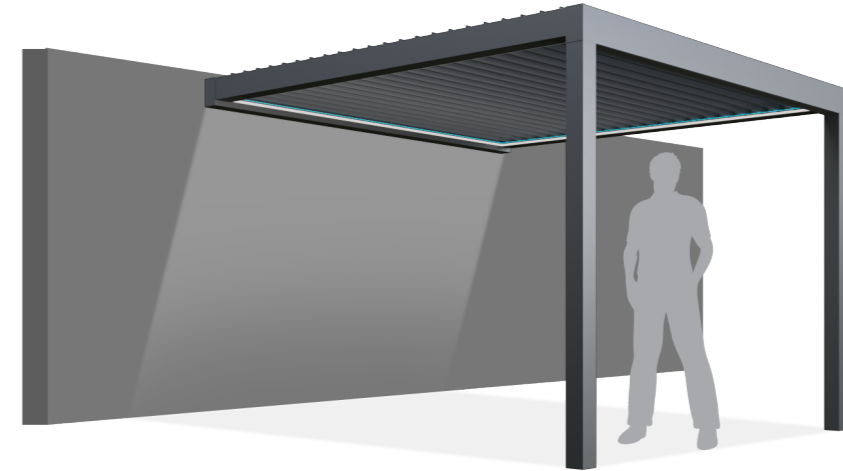
Tilting Directions



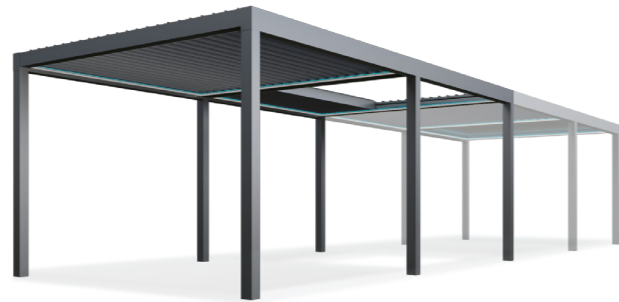
Flexible installation methods are available with wall mounting and free standing installations and they can even be served as a roof assembled to existing frameworks.



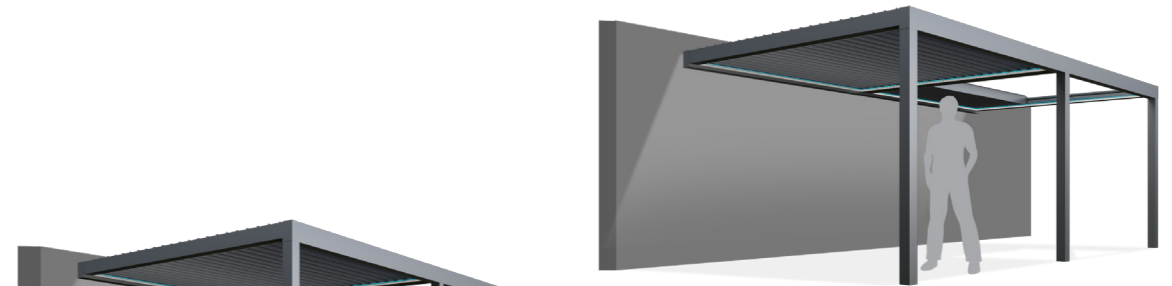
Self Standing  
Single Module



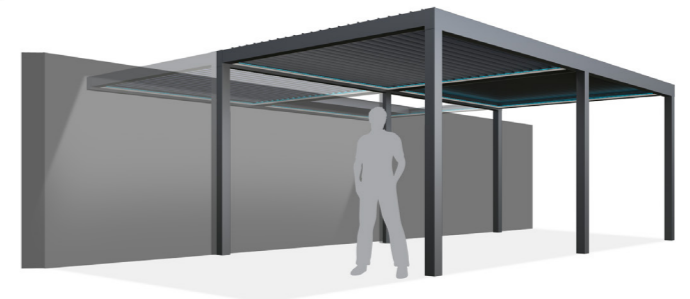
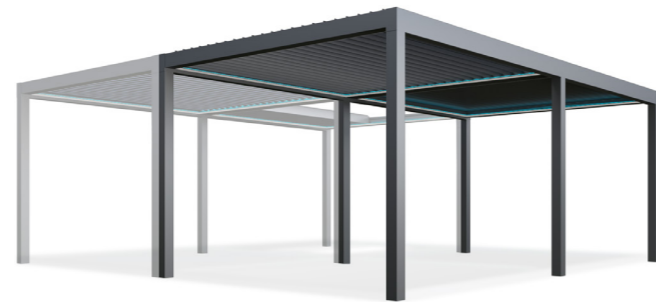
Wall Mounting  
Single Module

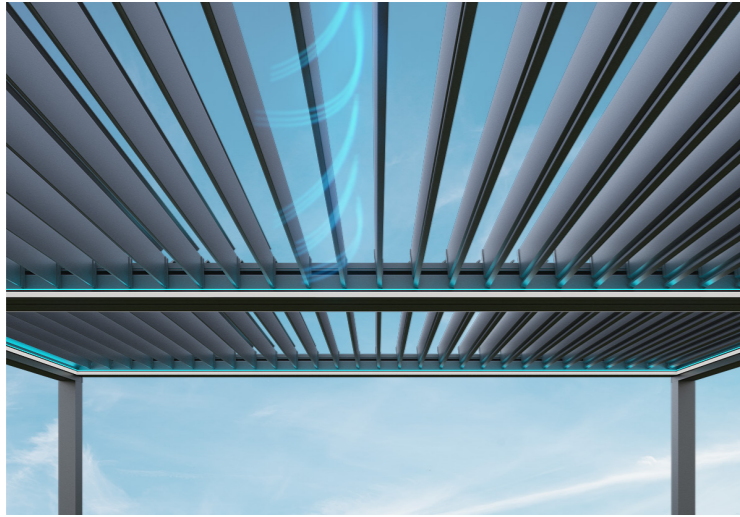


Self Standing  
Multiple Modules

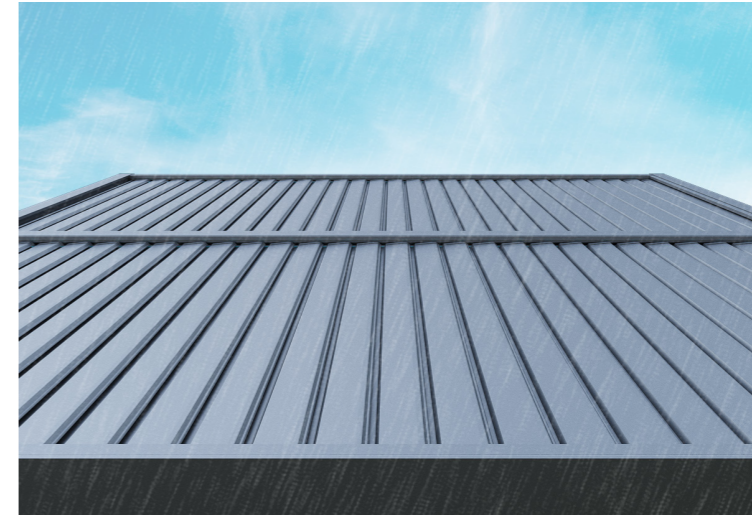


Wall Mounting  
Multiple Modules

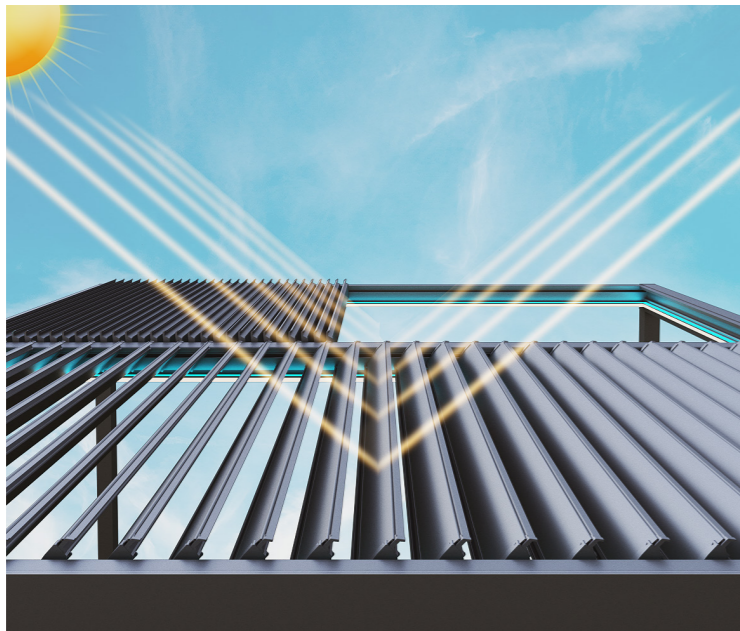




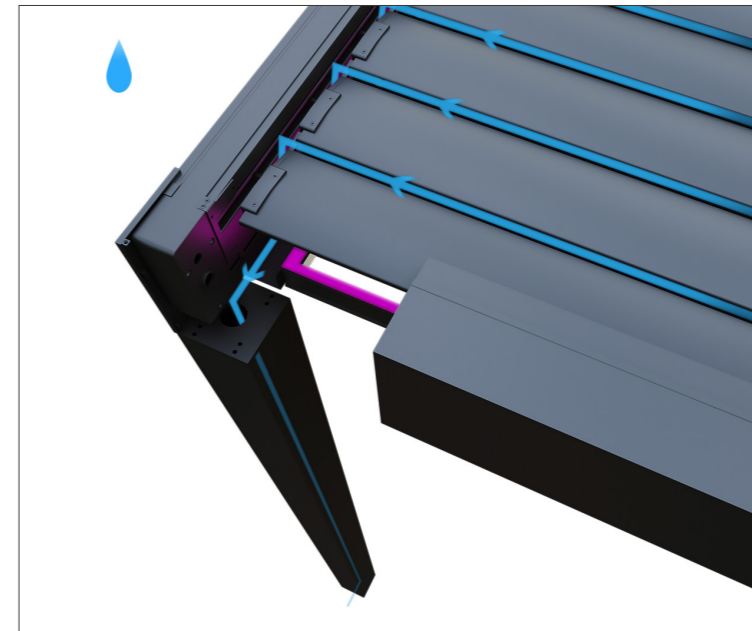
Slightly opening of louvres creates natural air flow for application areas.



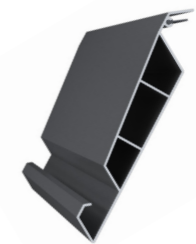
Ensuring waterproof coverage when louvres are in fully closed position.



Protecting from sun exposure while ensuring air ventilation under the system .

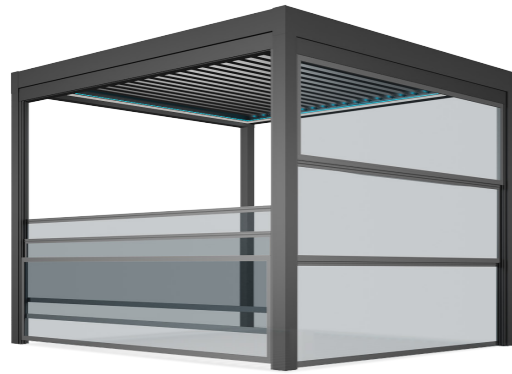


Each channel on louvres drain the water through four sided gutters connected with columns.



Functional seal entegrated on louvre channels provides maximum protection from water dripping.

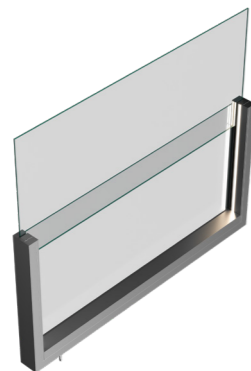
Closures



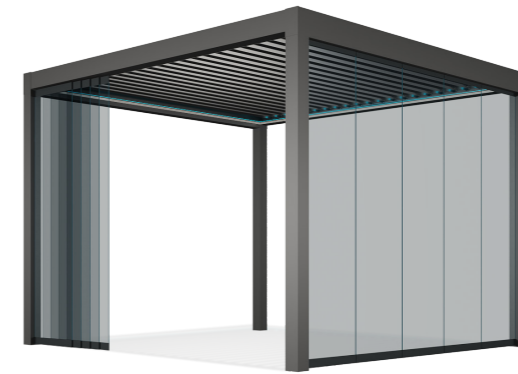
**Sapphire/Cycle Guillotine Glass System**  
 System can be adapted to Aerolux system and offers a maximum clear span that provides unobstructed view & minimalistic style. The system is operated by just the touch of button.



**Framee Sliding Glass System**  
 Minimal line of Framee system is perfectly matching with modern architectural Aerolux system by insulated fine-framed sliding glass panels. System offers a comfortable sliding with easy individual movement.



**Swind-Motorised Windbreaker System**  
 Swind can be combined with also Aerolux system and offers adequate wind breaking with the option of total transparency by incorporating the function of balustrade. Thanks to led stripe dimmer lighting integrated side frame the fixed panel assigns distinctive appeal. The system is modular and completely flexible as there are no limits in the horizontal direction that can be used to surround spaces of all types and sizes.



**Slidia Sliding Glass System**  
 The combination of the sliding glass system with Aerolux ensures efficacious protection from wind and rain. The aluminium frames which cover each glass panel provide maximum safety standards and practicality with elegance details.



**Violet Glass Balustrade System**  
 The adaptability of Violet fixed balustrade glass with Aerolux creates a stunning visual transparency without lacking of obstruction to lines of sight. The stylish lighting solution that is integrated underneath the glass highlights attractive aspect of the design by amplifying overall aesthetic of outdoors. Thanks to flexible and multiple modular implementations, system can be used to cover comprehensive areas without limitation in the horizontal direction.



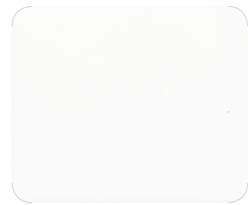
**Vertex Zip Screen System**  
 The minimalist, slimlane, contemporary design of the zip system provides comfortable shade and protects against the UV rays. The system includes motorised aluminium structure, entirely powder-coated with stainless steel bolts and screws.



**Wallfix Fixed Side Enclosure**  
 The unique designed privacy of Wallfix side enclosure can be combined with Aerolux system to optimise outdoor living areas visually.

# ALUMINUM

## basic



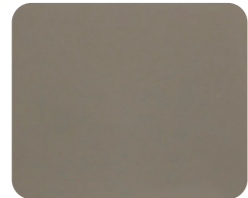
RAL 9016



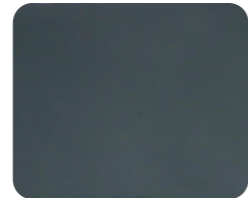
RAL 1013



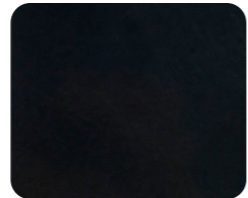
RAL 9006



RAL 7006



RAL 7016



RAL 9005

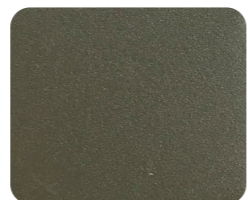
## exclusive



OGN35



OS561



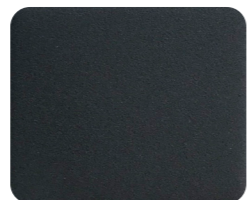
OY395



OGN39



ON617

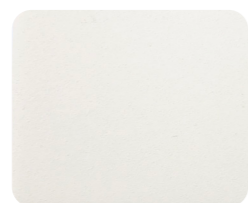


ON611

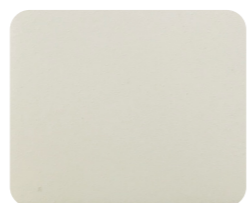
## texture



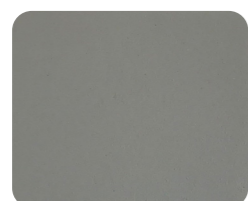
ST9010



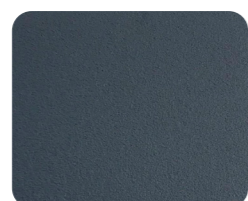
ST9001



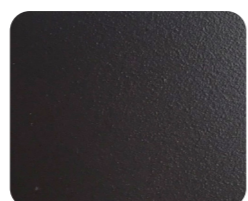
ST1013



ST7039



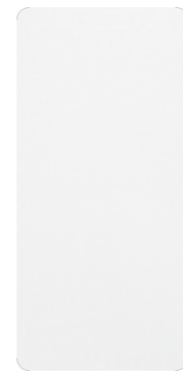
ST7016



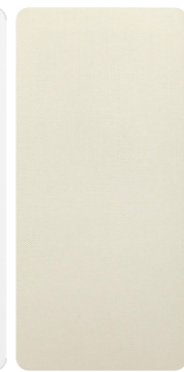
ST8019

# blackout fabric

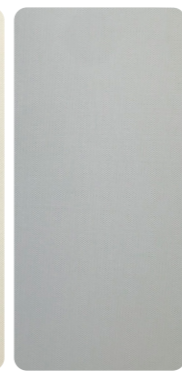
## premium



PW213/White



PC211/Cream

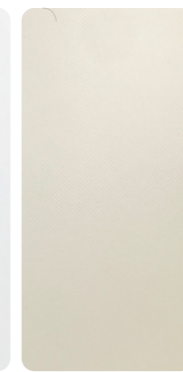


PG209/Grey

## basic

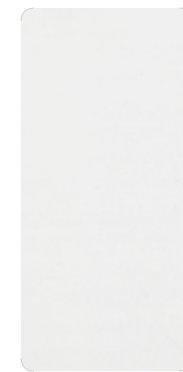


WT785/White

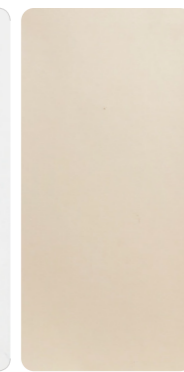


CR295/Cream

## matt



MW23/White



MC26/Cappuccino

# FABRIC

## xclusive



WTEX/White



CRMX/Cream

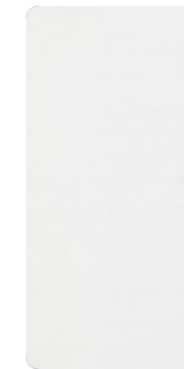


GRYX/Grey

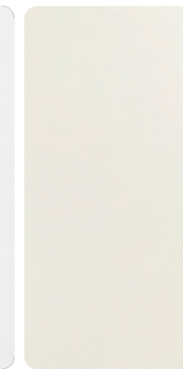


BRDX/Bordeaux

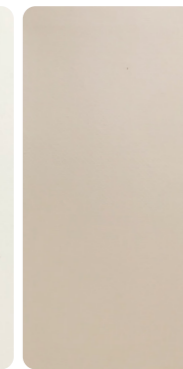
## matt/linear fabric led



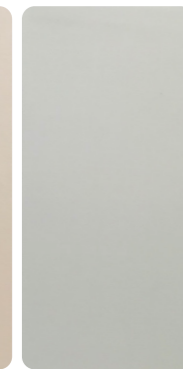
LW22/White



LCR33/Cream



LC44/Cappuccino



LG66/Grey

# fabric

## semi-transparent



STRW22/White



STRB33/Black

The color and gloss level shown in this color swatch should be used only as a guide. All ral colors are available.

Premium fabric serie is produced from black-out PVC and has 5 years warranty. Cover is water & light proof and flame retardant. The color tone and pattern level shown in this color swatch should be used only as a guide.

Complementary closure solutions to be integrated contemporary Suntech product ranges or existing modern structures

Suntech's innovative Closure product range is serving hi-grade side enclosure solutions that can be integrated between any existing structures or pergola systems.

Closure serie is designed to present accomplished combination of minimal lines and functionality while providing visual optimisation.



### Closures

- 007 Sapphire
- 017 Cycle
- 029 Swind
- 039 Violet
- 051 Framee
- 061 Slidia
- 073 Doors
- 079 Vertex
- 089 Wallfix

Closures

SAPPHIRE



A new generation of innovative outdoor protection that expands outdoor living areas with its wide panoramic motorised glass panels with perfectly balanced motorised operation

CYCLE



Customized sleek wide panoramic structural glazing solution

SWIND



Windbreaker - Automatic vertical up-down glass panel

VIOLET



Glass balustrade system with elegant and functional design

FRAMEE



Made of fine-framed aluminum profiles with modern design

SLIDIA



System enables the individual parallel sliding panels to be moved horizontally

VERTEX



Motorised external blind which is extremely durable, practical in use and provides great flexibility for outdoor and indoor living areas

WALLFIX



Aluminium fixed wall privacy with minimal and outstanding design



## CYCLE

### Adequate comfort of panoramic transparency

Cycle is a vertical guillotine glass system with chain mechanism that is a culmination of this widely utilized modern design concept ensuring maximum transparency and excellent performance with its wide panoramic motorised glass panels.

Flawless design aesthetics offering a smart solution to numerous architectural requirements with simple and contemporary architectural design. The minimal aluminum frame of structure provides availability for an expanded and visually unobstructed perspective.

Cycle can be configured to fit various applications in commercial spaces such as restaurants, hotels, cafes as well as in residential applications.

System features striking elegance and unique facade configurations with its clear and precise lines creating a minimal look and offer a panoramic view in any kind of weather condition.

The movable panels are slid either upwards or downwards and parked behind fixed panel which forms a glass parapet.

Thanks to the full thermal break within the frame and the high specification of glazing used, these guillotine windows have high level of thermal insulation, solar protection and transparency. Different number of glass options are available to provide the needed specific performance.

The system is operated by chain mechanism for ultra-simple control. The motorization of system is fully hidden.

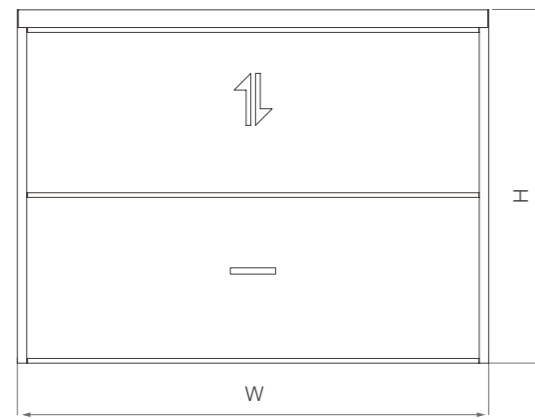
To ensure complete safety, system stops when it meets with an obstacle thanks to smart sensor technology that contributes the safety precautions and make the system highly dependable, durable and performing product.

Additionally smart home automation systems can be integrated as well switch and remote control options, with a touch of a button you can create your desired ambience.

# Configurations

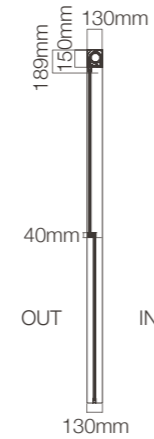
## 2 Panels / Down Parking

Insulated Double Glass 5+11+5 mm



Internal View

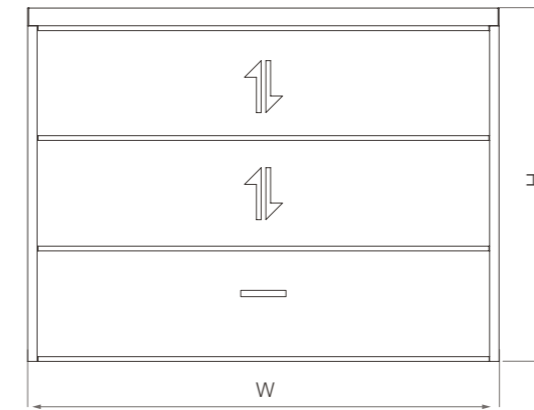
Max. W 4000 H 2500 mm  
 Max. W 3500 H 2750 mm  
 Max. W 3000 H 3000 mm



Lateral Section

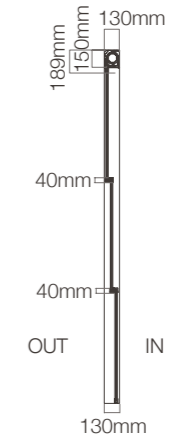
## 3 Panels / Down Parking

Insulated Double Glass 5+11+5 mm



Internal View

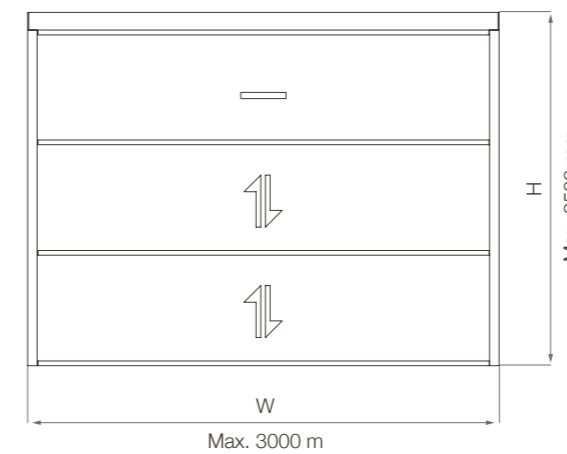
Max. W 4000 H 3000 m  
 Max. W 3000 H 3500 mm



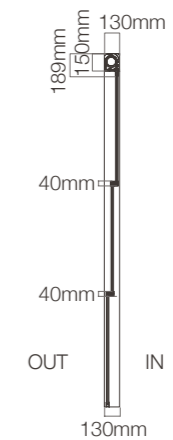
Lateral Section

## 3 Panels / Up Parking

Insulated Double Glass 5+11+5 mm



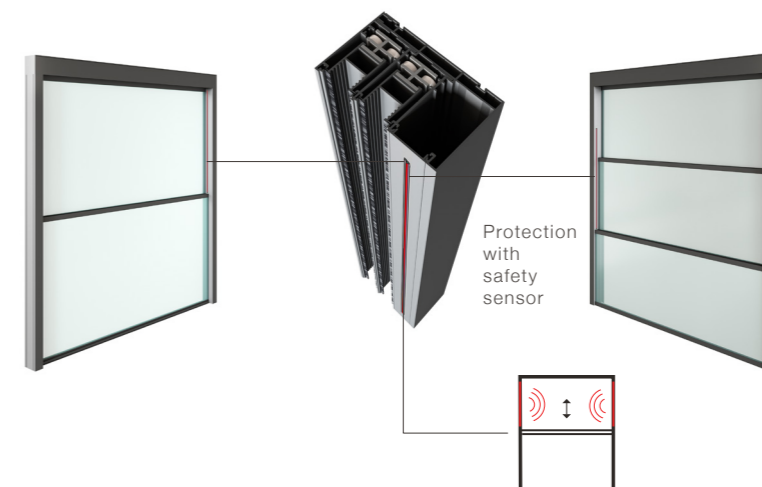
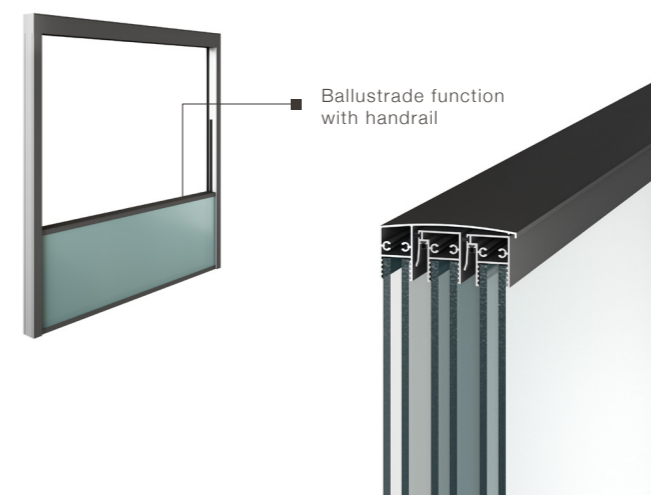
Internal View



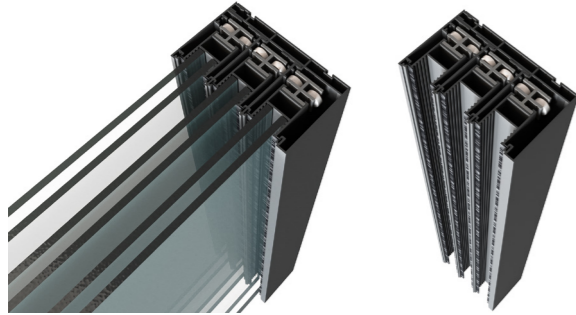
Lateral Section



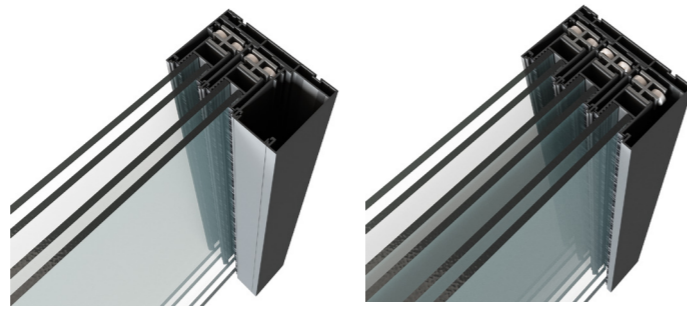
Cycle Guillotine Glass System  
 Cycle offers a maximum clear span that provides unobstructed view & minimalistic style. The system is operated by just the touch of button.



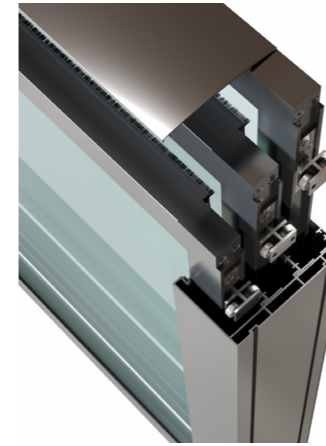
with & without glass options



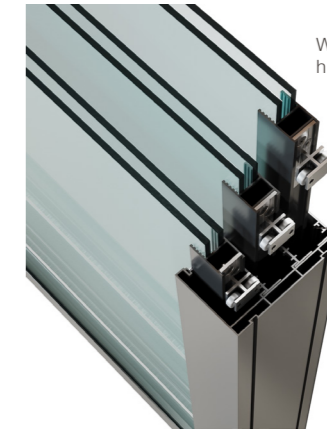
2 & 3 panels options



Combination of compact design and high-tech engineering

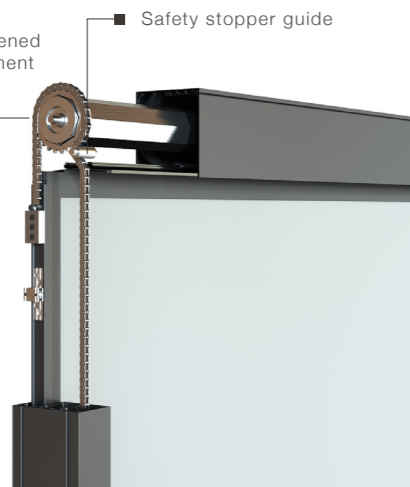


Wide clear span with hidden panel frames



Compact guide profile consisting of four parts for easy assembly & disassembly

Fully hidden strengthened counterweight movement mechanism



Safety stopper guide

Fully hidden motor drive

Rubber cord and brush for high level insulation

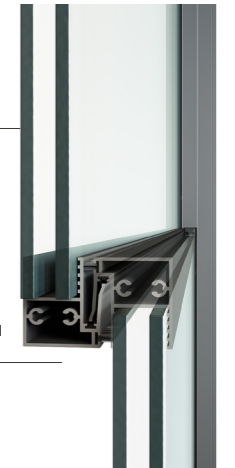


Guide rollers for optimum and smooth running



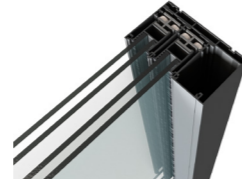
5+11+5mm tempered insulated double glass

Rubber cord and brush for high level insulation and resistance between glass panels connection



# Technical Details

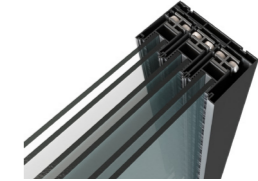
## 2 Panels



Description	Glazing Type
Glazing	5+11+5mm Insulated.
Max. movable glazed frame weight	110kg
Max. height	300cm
Max. width	400cm (Min width :120cm)
Max. size	12 sqm
Surface finish	Electrostatic powder-coating
Motor type	220 VAC 50/60Hz Tubular motor 85NM or 120NM Direct Drive
Control	Switch, remote or smart control options

Description	Glazing Type
Double Insulated Glazing	5mm T + 11mm air gap + 5mm T

## 3 Panels



Description	Glazing Type
Glazing	5+11+5mm Insulated.
Max. movable glazed frame weight	220kg
Max. height	350cm
Max. width	400cm (Min width :120cm)
Max. size	12 sqm
Surface finish	Electrostatic powder-coating
Motor type	220 VAC 50/60Hz Tubular motor 85NM or 120NM Direct Drive
Control	Switch, remote or smart control options

Description	Glazing Type
Double Insulated Glazing	5mm T + 11mm air gap + 5mm T



---

## SWIND Windbreaker

Definition of outdoor areas with wider panoramas

Swind has a simple and functional wind breaker design concept that expands your terrace, patio or open-air spaces to shield outdoor living areas by offering adequate wind breaking with the option of total transparency.

System is mostly preferred at restaurants, cafes and terraces either private or commercial as an automatic vertical up-down glass separator for outdoor spaces, besides fixed panel can also incorporate the function of balustrade. Thanks to led stripe dimmer lighting integrated side frame the fixed panel assigns distinctive appeal.

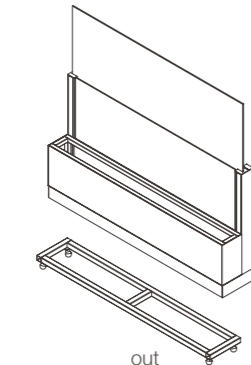
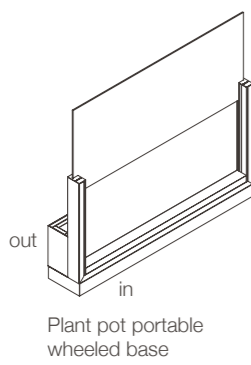
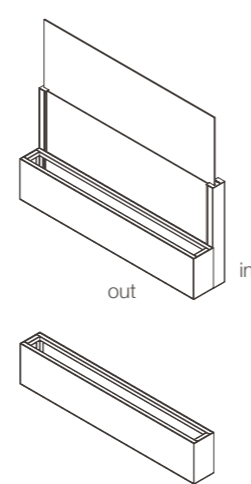
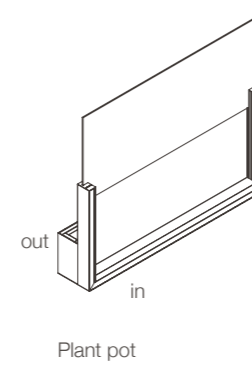
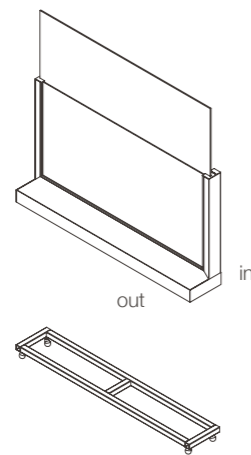
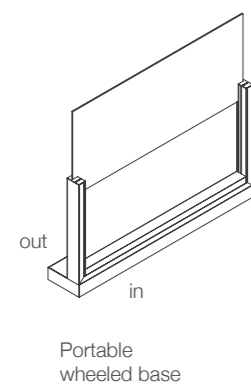
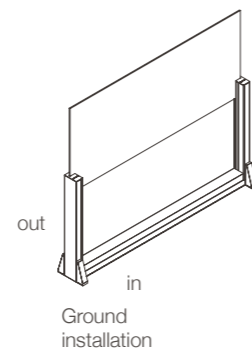
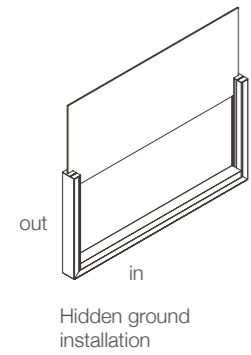
The system is modular and completely flexible as there are no limits in the horizontal direction that can be used to surround spaces of all types and sizes. There are no vertical struts between moveable and fix panels that provides unobstructed view. The modules can be moved up-down individually or in groups by remote control and the position of movable panels can be adjusted according to desired height. The system can be fixed on the ground or can be portable with the wheeled base option, also a decorative harmony can be ensured with plant pot integration.



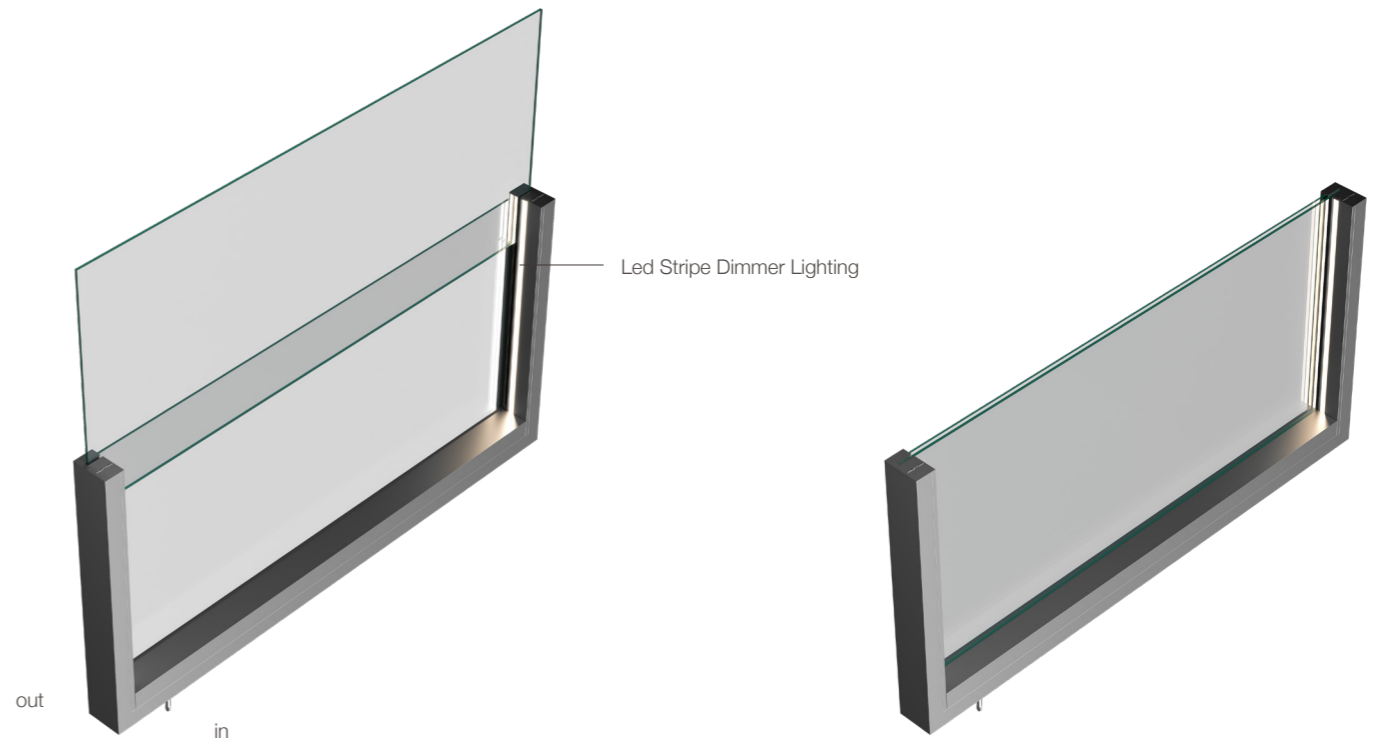
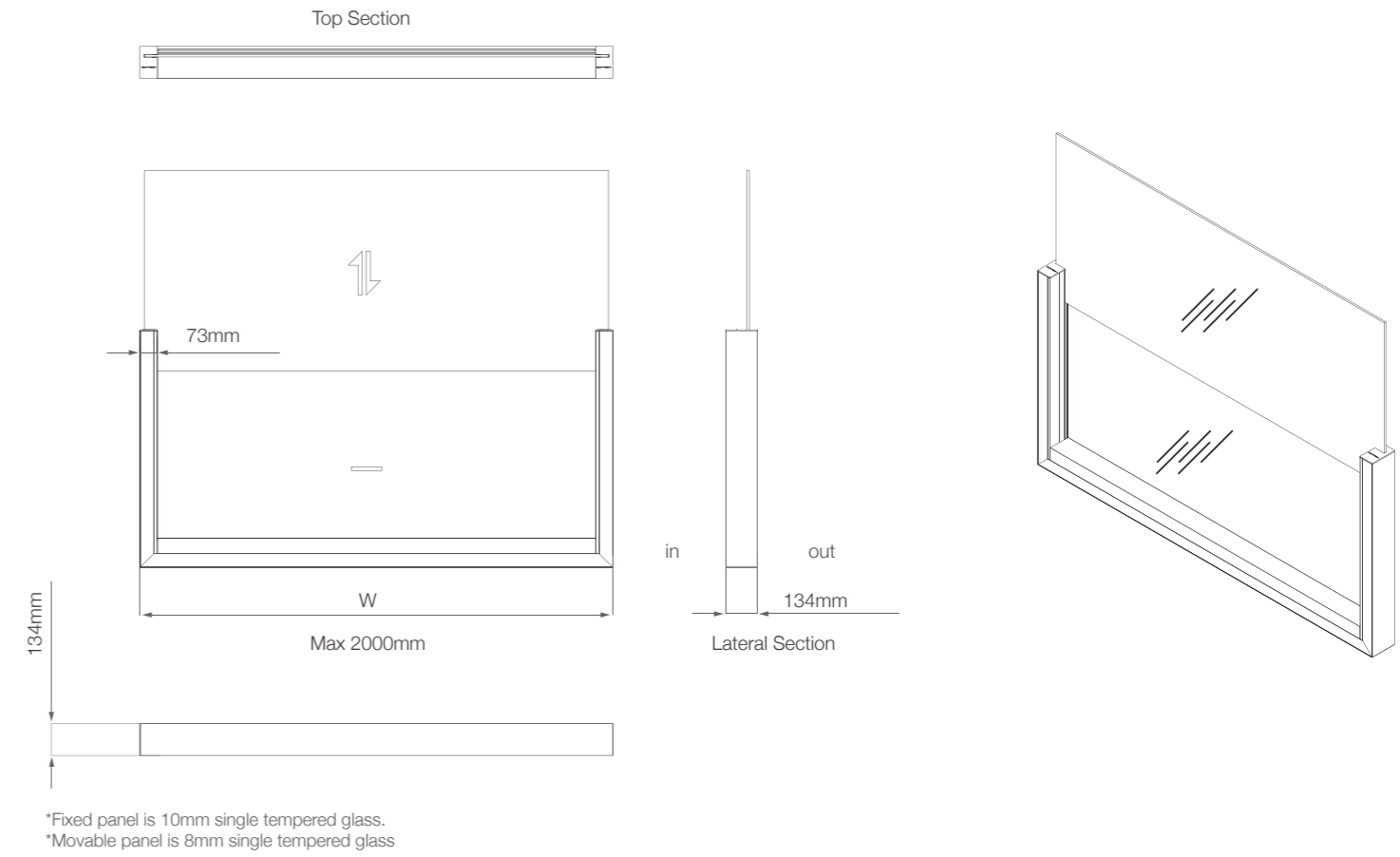
**Led Stripe Dimmer Lighting** illuminates all around the system and creates a warm atmosphere. Dimmable Soft Led Stripe lighting on sides within the structure provides intensity of day light or cool white options.

■ Led Stripe Dimmer Lighting

### Installation & Base Options



### Section Details



# Technical Details



Glazing	Fixed panel 10 mm tempered single glass Up-down panel 8 mm tempered single glass
Max. width for single module	2000 mm
Max. height for single module	1000 mm (fixed) + 700 mm (up-down)
Max. movable glazed frame weight	50 kg
Fixed panel glass dimension	10 mm single tempered
Movable panel glass dimension	8 mm single tempered
Frame profile dimension	134x73 mm
Surface finish	Electrostatic powder-coating
Motor type	220 VAC 50 Hz double shaft direct drive
Control system	Switch, remote control options
Automation	included
Control Unit	optional
Led Stripe Dimmer lighting	optional
Ground installation (inox)	optional
Wheeled base	optional
Plant pot	optional



---

## VIOLET

Minimal separation way for exteriors...

Violet is a glass balustrade system that can be applied in various application areas with its modern and minimalistic design. System provides the simplicity and elegance demanded by today's world at the same time and creates an effective solution with its straight lines. It is both a safety barrier and protects your living space against wind and various other elements.

When the clean lines of the glass balustrade match with the modern finish it will enable you to have experience of the glass elegance by providing the optimum result as an architectural solution.

Thanks to its transparent appearance, it does not create an obstacle between inside and outside and protects you against external influences with its strong protection effect.

Multiple modules that come side by side with sandwich panel structure and optional handrail preference give you the choice to cover a wider area. With a maximum width of 6 m and a height of 1 m, it can be used comfortably in many different areas such as balcony, terrace, pool side, patio, garden, restaurant and cafe.

Violet is an ideal option for structural glass solutions that creates no obstruction insight through a space with a minimal contemporary finish throughout for use as frameless balustrades.

The stylish lighting solution that can be integrated into the system creates distinguished features.

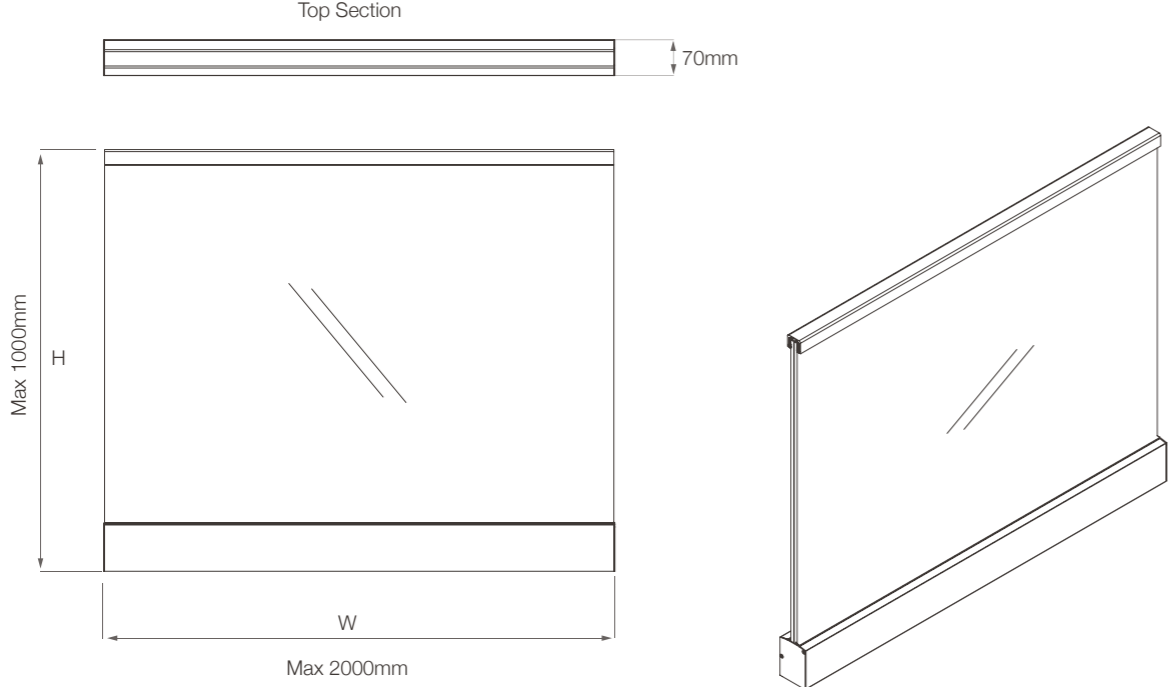
It enables you to design a minimal, aesthetically neat and functional glass barrier between levels with no visible fixings.



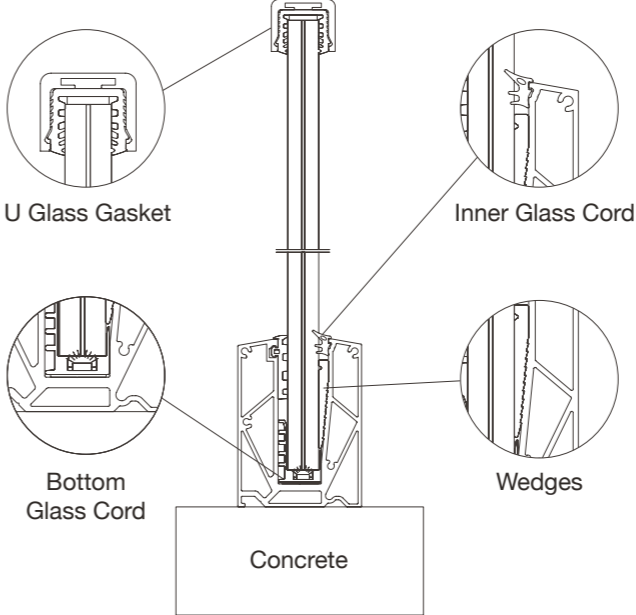
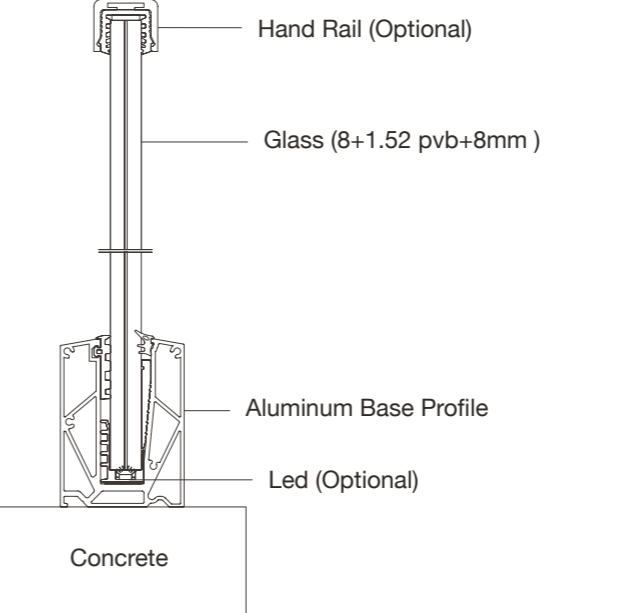
**Led Stripe Dimmer Lighting** illuminates all around the system and creates a warm atmosphere. Dimmable Soft Led Stripe lighting on sides within the structure provides intensity of day light or cool white options.

■ Led Stripe Dimmer Lighting

### Section Details



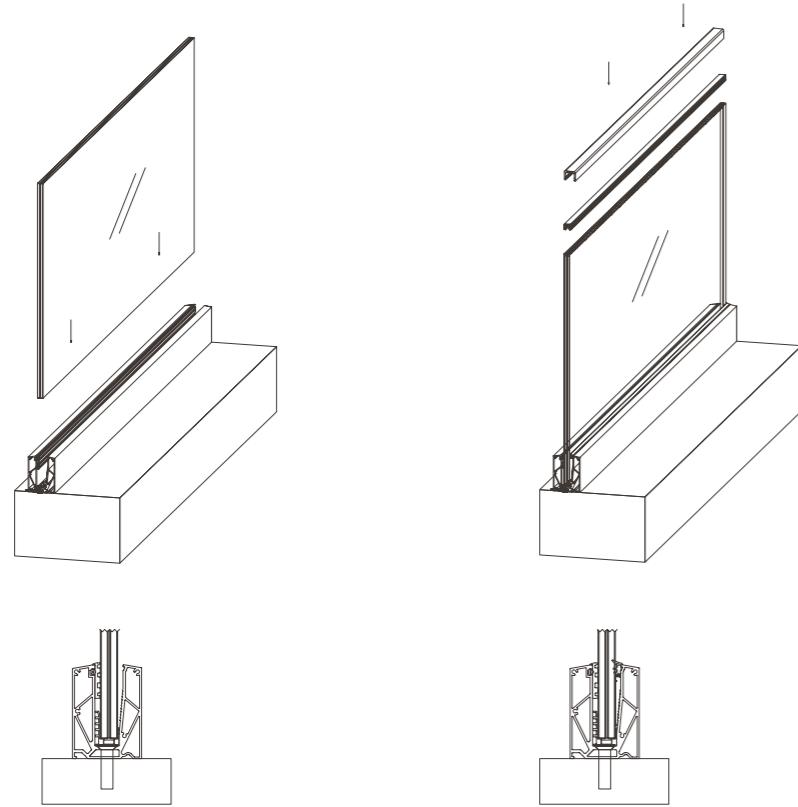
### Accessories & Optionals



# Installation & Base Options

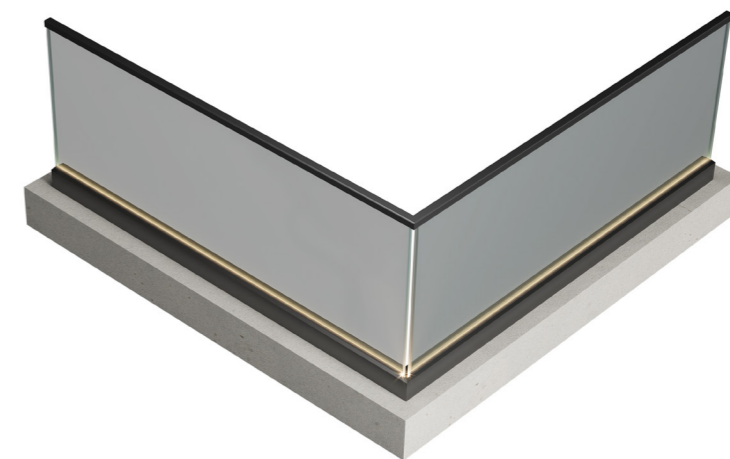
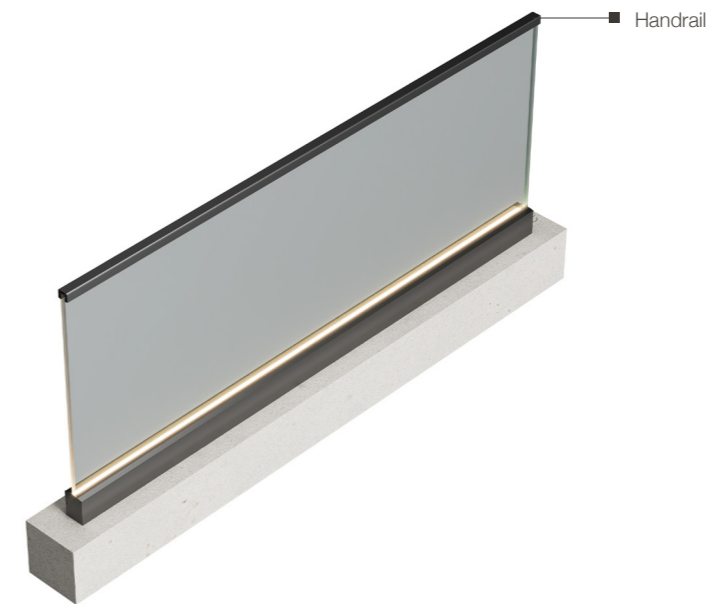
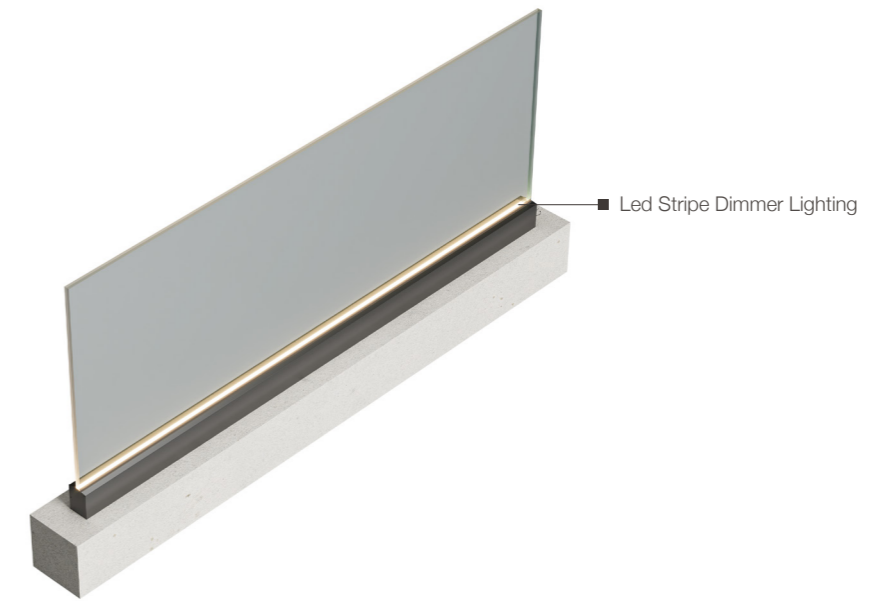
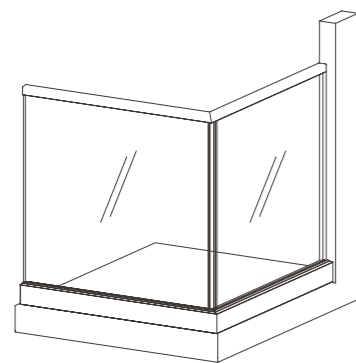
## Compact & Easy Assembly

The system reaches its compact outlook with simple and quick installation steps.



## Smooth Edge Connection

Clean appearance in the corner points.



# Technical Details



Glazing	8+1.52 pvb+8 mm laminated glass
Max. size for single system	6000x1000 mm (three modules)
Max. width for single module	2000 mm
Max. height for single module	1000 mm
Aluminum base profile	70x95 mm
Surface finish	Electrostatic powder-coating
Lighting operation	Switch, remote control options
Automation	N/A
Led Stripe Dimmer lighting	optional
Control unit	optional
Hand rail	optional

\* N/A (not available)



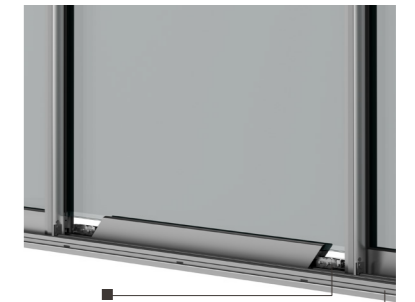
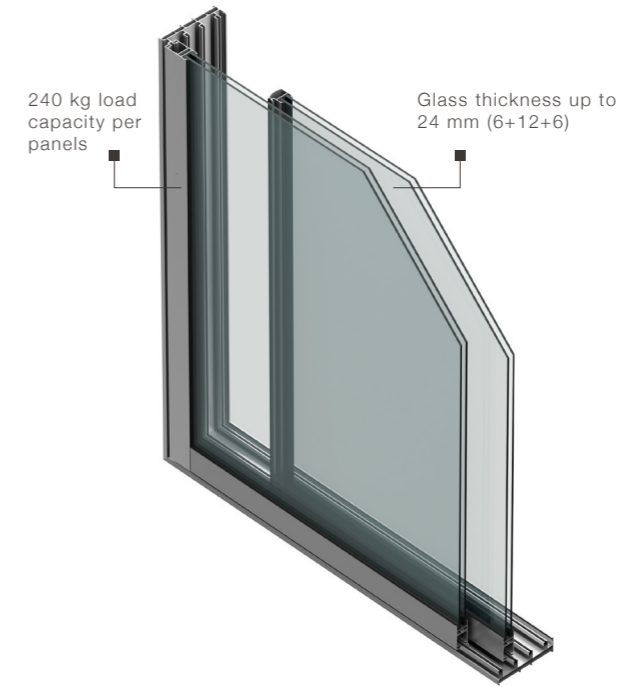
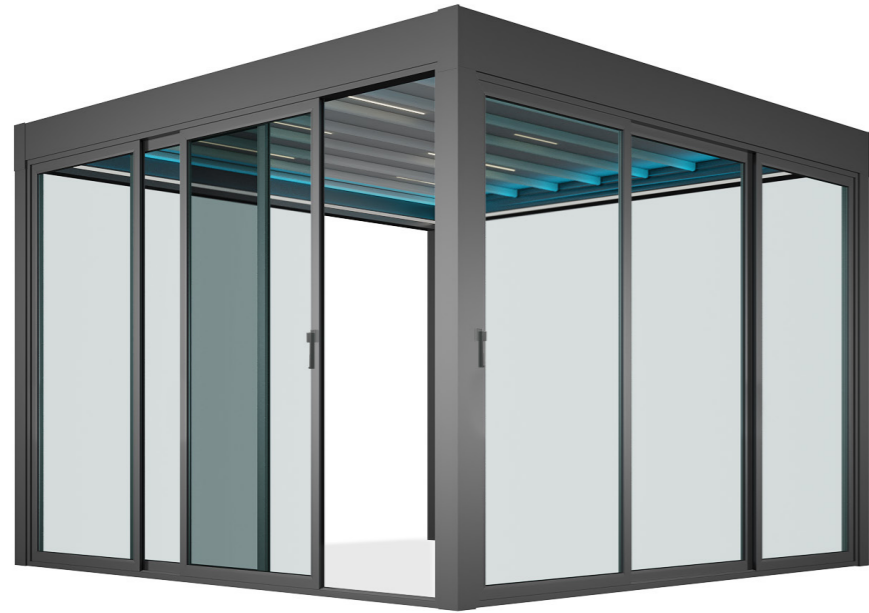
## FRAMEE

Framee is sliding glass system with fine-framed double glazed panels

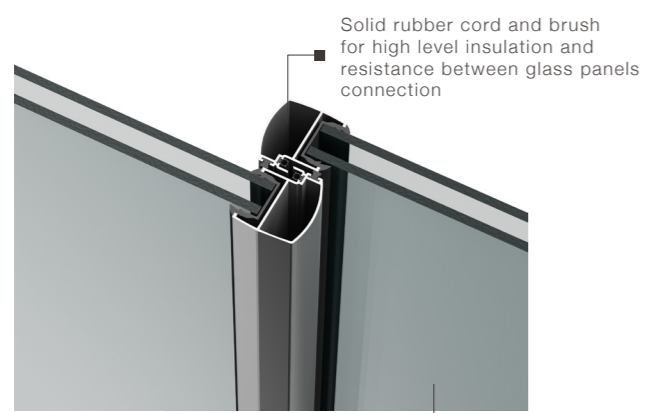
System is made of fine-framed aluminum profiles with modern design & suitable especially for large-area applications and completed with stylish and functional accessories perfectly matching with modern architectural living spaces. System offers a comfortable sliding with silent movement and allows individual sliding panels to be moved horizontally to one side or both in parallel.

Framee provides reinforced profile designs for customized static values, condensated frame profile design as well as glazing up to 26mm thickness.

System is ease of install with compact connection details.



Stainless steel bottom rail for easy and smooth movement



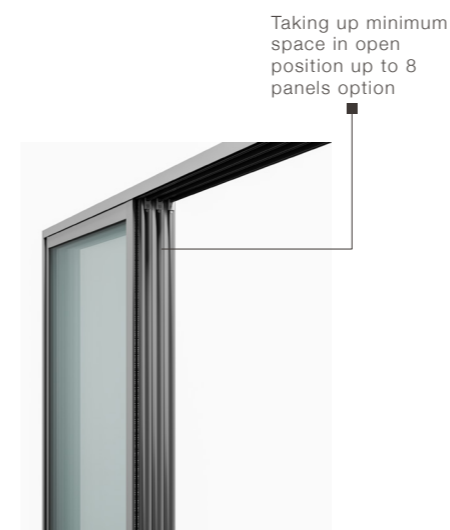
6+12+6mm tempered insulated double glass

Technical Specifications	Measurements	
System Depth	Frame	81,7/112,6/181,7 mm
	Sash	38 mm
Air Permeability	Opening Sash	24 mm

\* Take double glazing thickness tolerances into consideration.

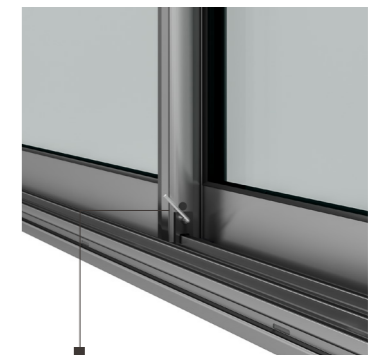
Performance Criteria	Classification	Test Standards
Thermal Transm. Coeff.*	-	-
Air Permeability	Class 8A (450 Pa)	EN 1026 EN 12207
Water Tightness	Class 4 (600 Pa)	EN 1027 EN 12208
Resistance to Wind	Class B2 (800 Pa)	EN 12210

\* Special condensation calculations for the project were separately carried out.  
\*\* Please contact us to obtain reports that contain the relevant performance values.

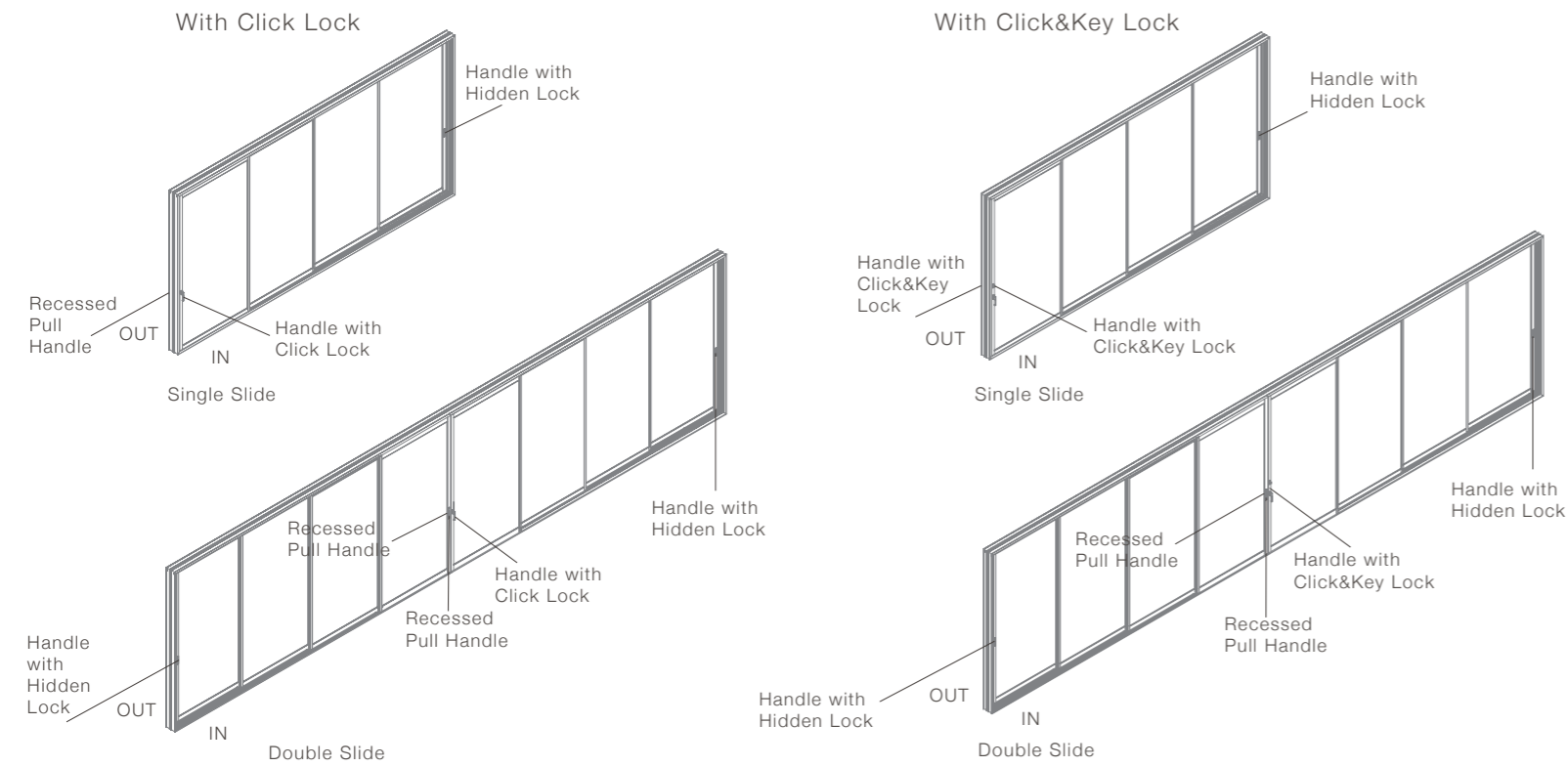


Rubber cord for feature a smooth, compact look and concealed soft-close technology

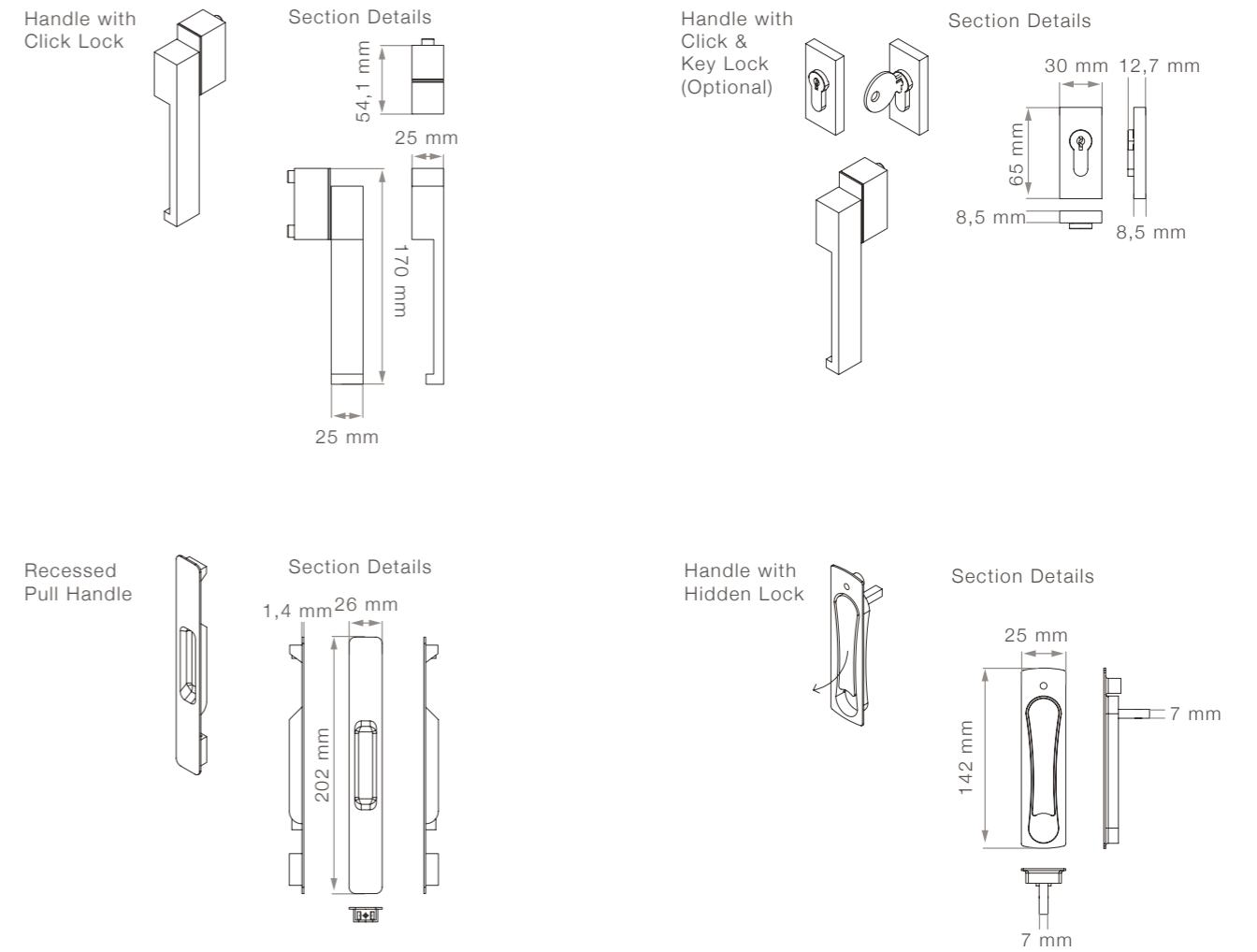
Special sloped rail design for efficient drainage



## Handles & Lock Positions



## Handles & Lock Types



## Anodising Brushed Color Options



From natural and metallic to anodizing brushed color options give a sleek and elegant finish to systems.

---

## SLIDIA

Give modern appeal and depth to spaces...

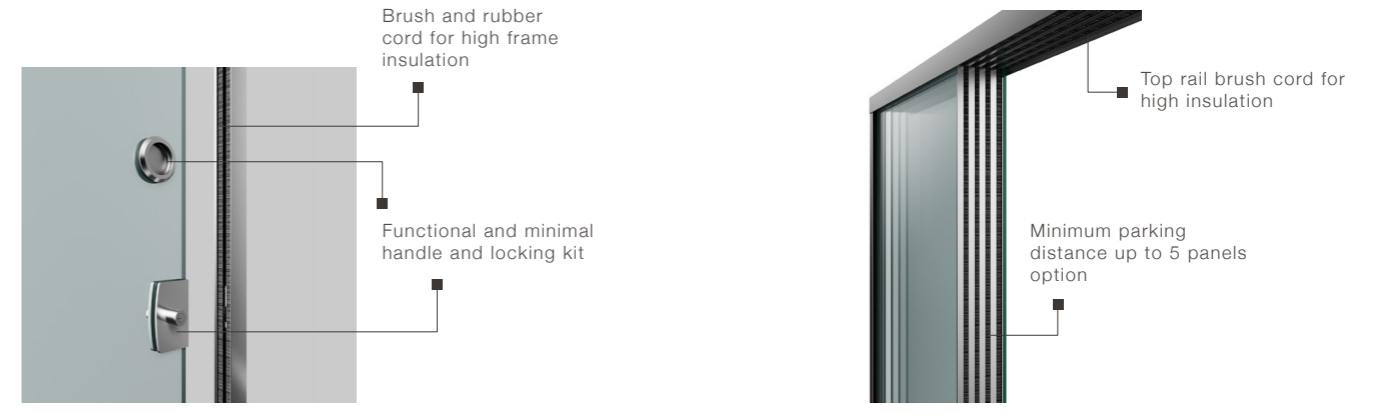
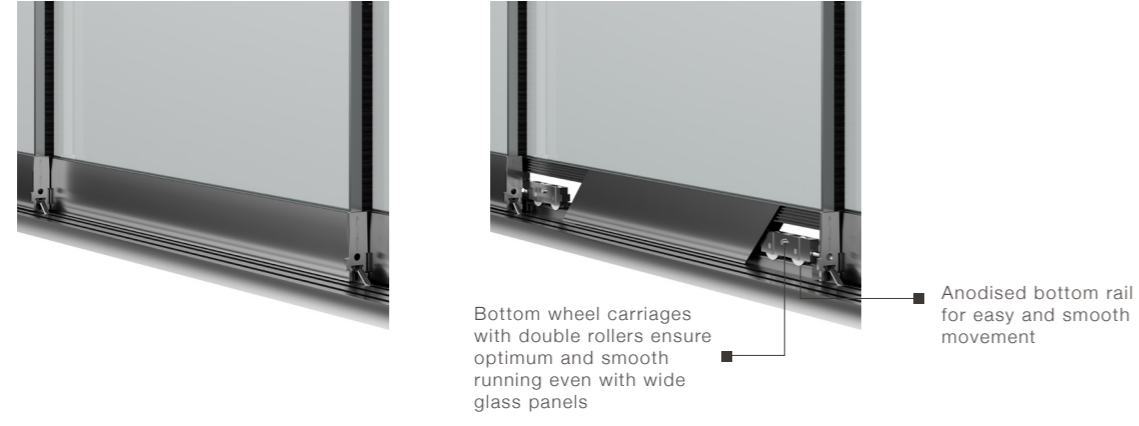
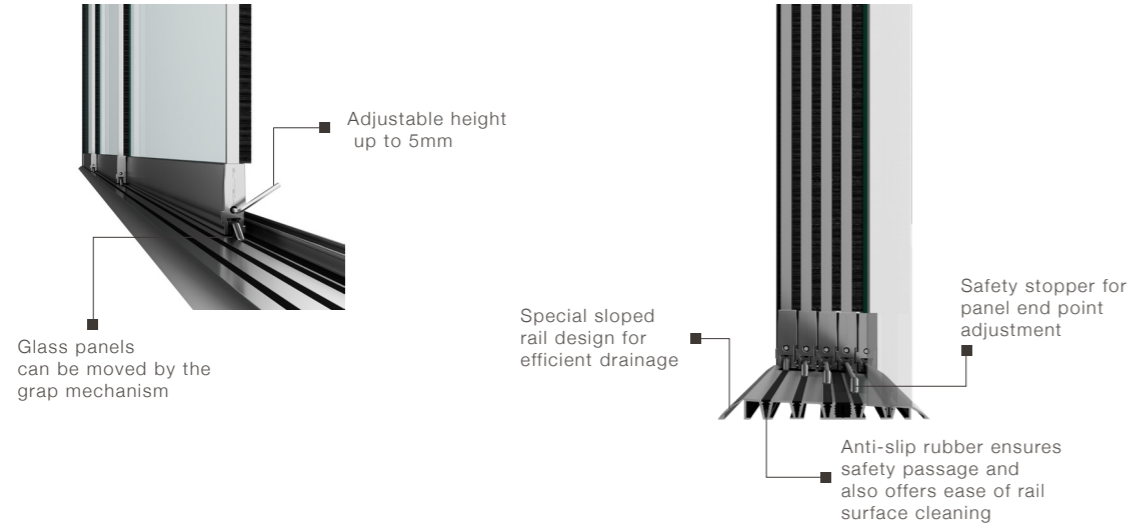
Slidia is a stylish and practical closing solution that can be integrated into structures and presents you indoor coziness along with outdoor coolness.

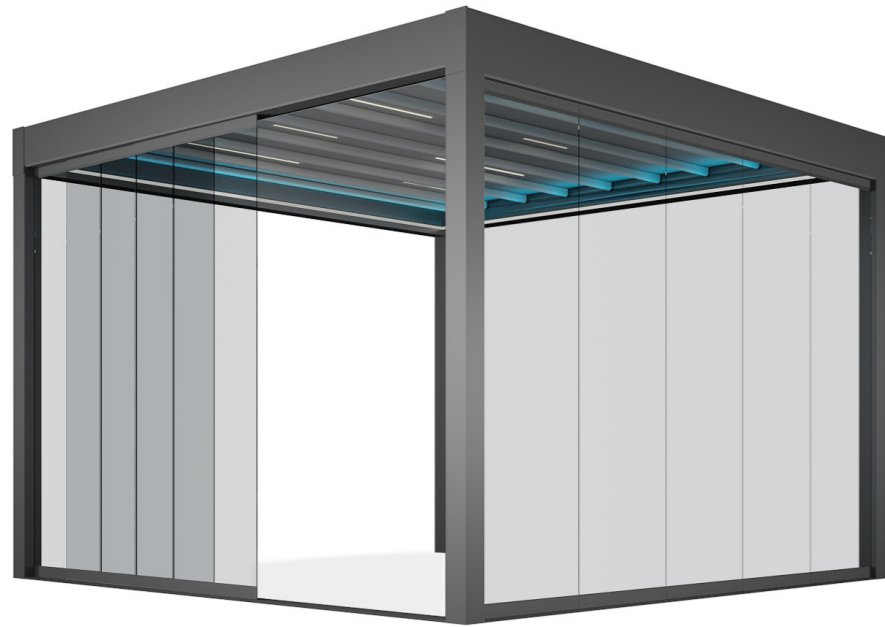
Sliding system enables the individual parallel sliding panels to be moved horizontally. By opening and closing of first sliding panel, the other sliding panels are automatically opened and closed by integrated subsequent panels. The floor-mounted construction means that a wide open area can be covered without additional roof supports.

The bottom wheel carriages ensure optimum and smooth running of the individual sliding panels. Height compensation of the ceiling rail up to 20 mm and height adjustment of the rollers up to 5 mm allows the sliding system to compensate for potential subsidence in the eaves or a lintel easily.

The sliding glass can be easily matched with attractive look you aspire with variety of rail and panel types. The system can be slided to one side or both sides as you desire.

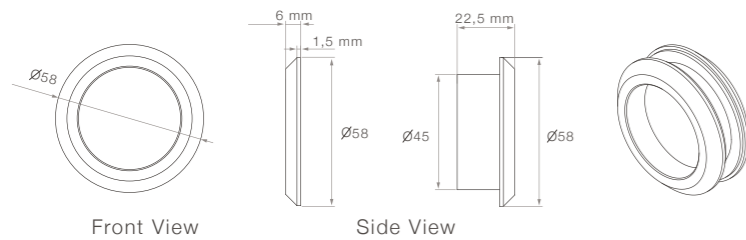




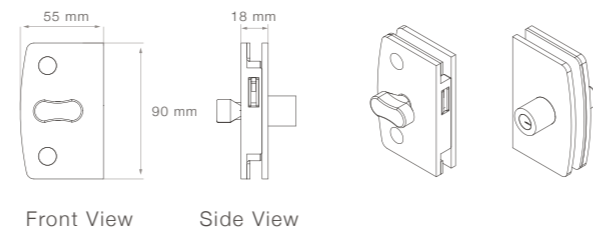


Single Glass Handle Types

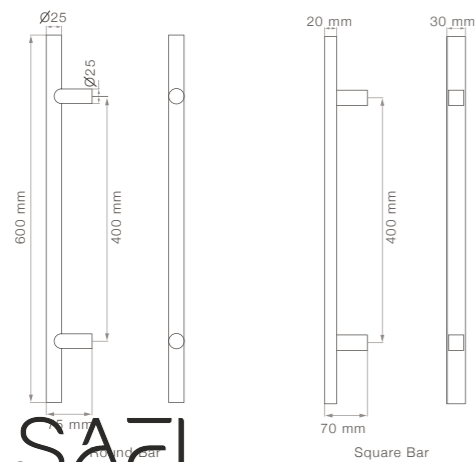
Flush Circle Handle



Sliding Glass Lock Types



Push & Pull Bar



Company Name:  
Order Reference:

Order Date:

DIMENSIONS

Width :.....mm    Height :.....mm    Quantity :.....pc  
 W :.....mm    H :.....mm    Q :.....pc  
 :    :    :  
 :    :    :

GLASS OPTION

- With Glass
- Without Glass
- \* Glass is 8MM

PANEL TYPES

Single Side	<input type="checkbox"/> 3 Rails 2 Panels	<input type="checkbox"/> 3 Rails 3 Panels	<input type="checkbox"/> 5 Rails 4 Panels	<input type="checkbox"/> 5 Rails 5 Panels	SLIDE DIRECTIONS Single Side <input type="checkbox"/> RX to LX <input type="checkbox"/> LX to RX
Double Side	<input type="checkbox"/> 3 Rails 4 Panels	<input type="checkbox"/> 3 Rails 6 Panels	<input type="checkbox"/> 5 Rails 8 Panels	<input type="checkbox"/> 5 Rails 10 Panels	Double Side *Center to RX and LX

POWDER-COAT COLORS

- |                               |                                |                                 |                                    |
|-------------------------------|--------------------------------|---------------------------------|------------------------------------|
| RAL colors                    | Exclusive colors               | Texture colors                  | <input type="checkbox"/> Other ... |
| <input type="checkbox"/> 9016 | <input type="checkbox"/> OGN35 | <input type="checkbox"/> ST9010 |                                    |
| <input type="checkbox"/> 1013 | <input type="checkbox"/> OS561 | <input type="checkbox"/> ST9001 |                                    |
| <input type="checkbox"/> 9006 | <input type="checkbox"/> OY395 | <input type="checkbox"/> ST1013 |                                    |
| <input type="checkbox"/> 7006 | <input type="checkbox"/> OGN39 | <input type="checkbox"/> ST7039 |                                    |
| <input type="checkbox"/> 7016 | <input type="checkbox"/> ON617 | <input type="checkbox"/> ST7016 |                                    |
| <input type="checkbox"/> 9005 | <input type="checkbox"/> ON611 | <input type="checkbox"/> ST8019 |                                    |

HANDLE TYPE

- Flush Circle Handle
- Push & Pull Bar
  - Round Bar
  - Square Bar

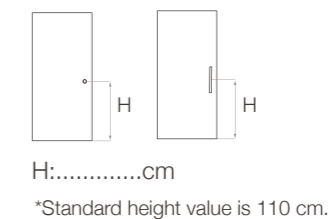
PANEL INSULATION TYPE

- Transparent Gasket
- Transparent Gasket with Brush
- Aluminum Slat with Brush

GLASS COLORS

- TR22 / Transparent
- SM33 / Smoked
- GN44 / Green
- BL55 / Blue
- BR66 / Bronze
- Other.....

HANDLE POSITION



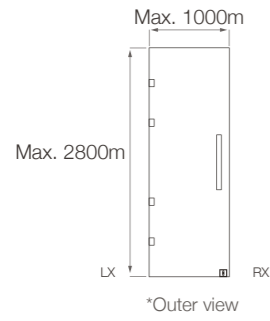
ADDITIONAL NOTES & DRAWINGS ATTACHED

## Technical Details

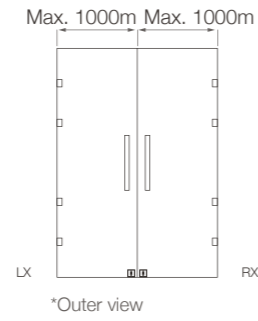


Glazing	8 mm tempered single glass
Slide Options	2,3 or 4 panels single slide 4,6,8 or 10 panels double slide
Max. width for single slide	6000 mm
Max. width for double slide	7200 mm
Max. height	2800 mm
Max. load capacity per panels	80 kg
Surface finish	Electrostatic powder-coating
Control system	Manual
Flush circle handle or push&pull bar	included
Lock	included

### Glass Door

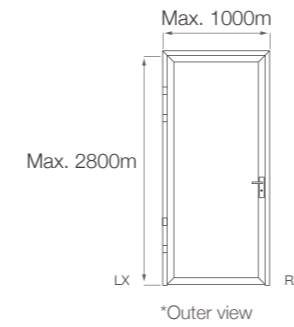


Single Slide (Hinged)

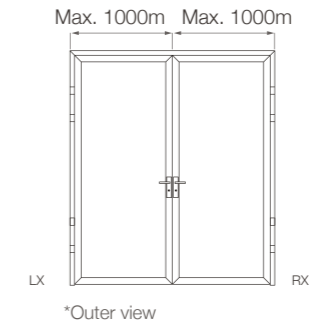


Double Slide (Hinged)

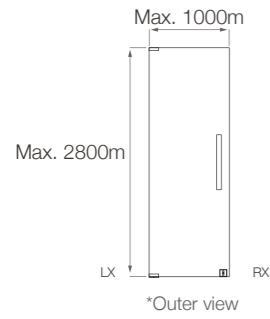
### Frame Door



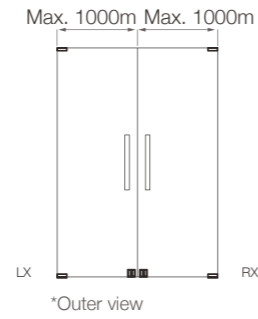
Single Slide (Hinged)



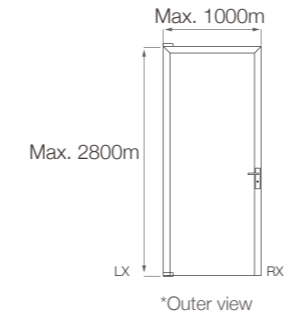
Double Slide (Hinged)



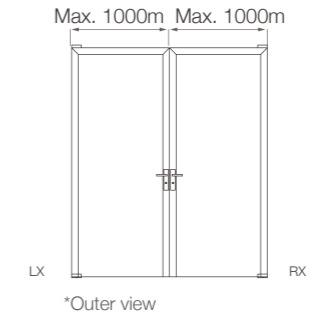
Single Slide (Hydraulic)



Double Slide (Hydraulic)



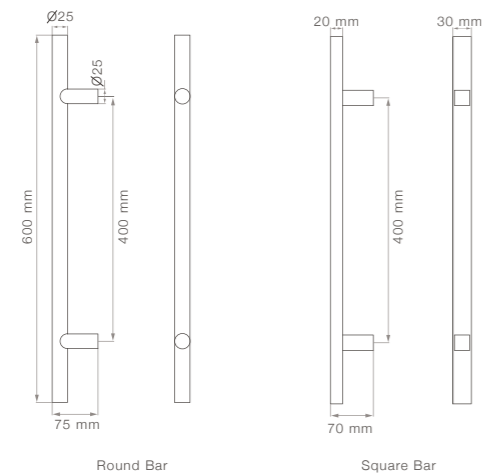
Single Slide (Hydraulic)



Double Slide (Hydraulic)

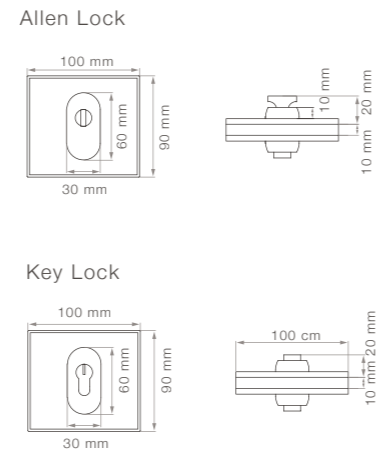
### Sliding Glass Handle Types

Push & Pull Bar

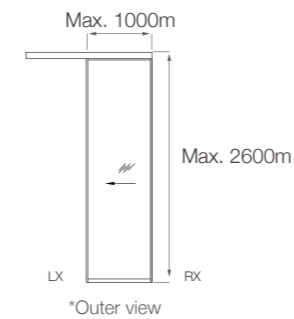


### Sliding Glass Lock Types

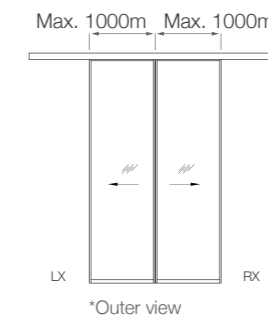
Square Floor Installed



### Photocell Door



Single Slide



Double Slide

Only movable panels are included. Fixed panels are not included.

---

## WALLFIX

Privilege of aesthetical privacy with a stylish look

Wallfix is an aluminium fixed side enclosure that adds privacy whilst enhancing visual appeal and offer a luxurious compliment to Suntech models and highlight design of any outdoor areas.

Simple and elegant lines of Wallfix are compatible with the modern finishes of application areas, it will enable you to have a specific privacy by aluminium fixed wall which is perfect for seamlessly addition to Suntech's architectural models or any independent open spaces.

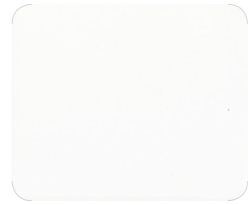
Wallfix enables you to achieve complete control over shade which adds a unique amenity to your outside areas with invisible fixings.

System highlights attractive aspect of the design by amplifying overall aesthetic of Suntech models with perfect combination ensures comfort and reliefment.



# ALUMINUM

## basic



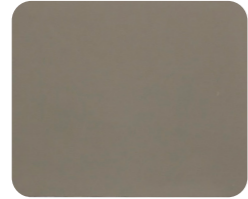
RAL 9016



RAL 1013



RAL 9006



RAL 7006

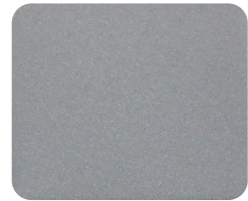


RAL 7016



RAL 9005

## exclusive



OGN35



OS561



OY395



OGN39



ON617

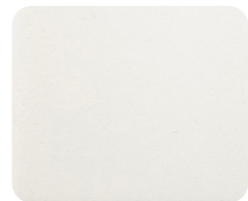


ON611

## texture



ST9010



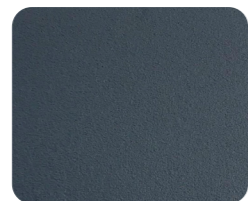
ST9001



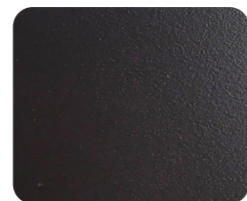
ST1013



ST7039



ST7016



ST8019

## Glass Colors



TR22 / Transparent



SM33 / Smoked



GN44 / Green



BL55 / Blue



BR66 / Bronze

The color and gloss level shown in this color swatch should be used only as a guide.  
All ral colors are available.



SAFI GROUP  
World of Unique Pergolas

STANDARD







**EN** Suntech's range of architectural retractable pergolas and roof systems are suitable for use in any weather conditions, for a large range of residential and commercial applications. Whether it's a retractable pergola for your backyard, courtyard or deck that you're looking for or a custom made roof system to meet the needs of a restaurant, bar or commercial project, there is a Suntech model to suit.

**TR** Suntech mimari açılır-kapanır pergola ve tavan sistemleri geniş nihai ve ticari uygulama alanları için her türlü hava koşullarında kullanılabilen gelişmiş çözümlerdir. Bahçe, deck alanlarınız için aradığınız veya restaurant, bar, kafe gibi ticari projeleriniz için uygulamak istediğiniz açılır-kapanır pergola sistemi varsa buna uygun bir Suntech modeli mutlaka vardır.



**ES** La gama de pérgolas y techos de lona móvil Suntech son apropiados bajo cualquier condición meteorológica, ya sea para uso particular o profesional. Si se trata de una pérgola para su jardín, patio o terraza lo que Usted está buscando, o un sistema personalizado para cubrir las necesidades de un restaurante, bar o comercio en general, Suntech tiene un modelo apropiado.

**FR** La gamme de pergola à toiture rétractable est appropriée à toutes les conditions météorologiques, pour un usage particulier ou professionnel. Si vous recherchez une pergola pour votre jardin, patio ou terrasse ou bien un système personnalisé pour couvrir une terrasse de restaurant, bar ou commerce, Suntech est un modèle approprié à vos souhaits.

**DE** Pergola und Dach-Systeme, eine große Falten architektonischen und kommerziellen Anwendungsbereichen der endgültigen Struktur unter allen Wetterbedingungen eingesetzt werden. Garten, Terrasse oder Deck, oder Sie sind für die Bereiche Restaurant, Bar oder Pergola-System von Falten, wenn Sie für kommerzielle Projekte bestellen wollen suchen, muss es ein geeignetes Modell von Suntech werden.



SAFI GROUP  
World of Unique Pergolas  
STANDARD



EN Remote controlled motorisation is provided by utilising European technology through a custom built direct drive motor system to ensure smooth and quick operation at 26 RPM. The optional Hi-Powered LED-TECH lighting system provides a practical touch of class and when coupled with a remote dimming controller allows the user to change the mood to suit the surrounding environment.

TR Avrupa teknolojisi kullanılarak 26 devir yüksek motor hızıyla desteklenen sistem kontrolü yüksek verim ve minimum ses prensibi ile uzaktan kumanda yardımıyla sağlanır. Sisteme entegre LED-TECH aydınlatma sistemi ile daha şık ortamlar yaratılabilirken, uzaktan kumanda kontrollü dimmer sistemi ile kullanıcı ambiyansına uygun ışık yoğunluğu ayarlanabilir.

ES Motorización accionada mediante mando a distancia dotada de un sistema de transmisión directa para asegurar un desplazamiento rápido de la lona a 26 RPM. La opción de iluminación mediante LED proporciona un toque elegante, que unido a un regulador de intensidad de luz permite al usuario adaptar el espacio al entorno.

FR La motorisation est réalisée par télécommande à distance de marque, dotée d'un système de transmission directe afin d'assurer un déplacement rapide de la toile à 26 RPM. L'option d'éclairage LED offre une touche élégante qui, unie à un régulateur d'intensité, permet à l'utilisateur d'adapter l'espace à son environnement.

DE Ferngesteuerte Motorisierung wird durch die Verwendung europäischer Technologie durch einen speziell angefertigten Direct Drive Motor System eine reibungslose und schnelle Bedienung bei 26 RPM sicher gestellt. Die optional hallo betriebene LED-TECH Beleuchtung bietet eine praktische Hauch von Klasse und wenn sie mit einem Remote-Dimm-Regler gekoppelt ermöglicht es dem Benutzer, um die Stimmung zu ändern, um die Umgebung anzupassen.



Info@safigroup.ca

+1 604 445 5744

www.safigroup.ca

142-4300 N. Fraser Way,  
Burnaby, BC V5J 5J8



[suntechoutdoor.com](http://suntechoutdoor.com)





**SAFI GROUP**  
World of Unique Pergolas

[WWW.SAFIGROUP.CA](http://WWW.SAFIGROUP.CA)